

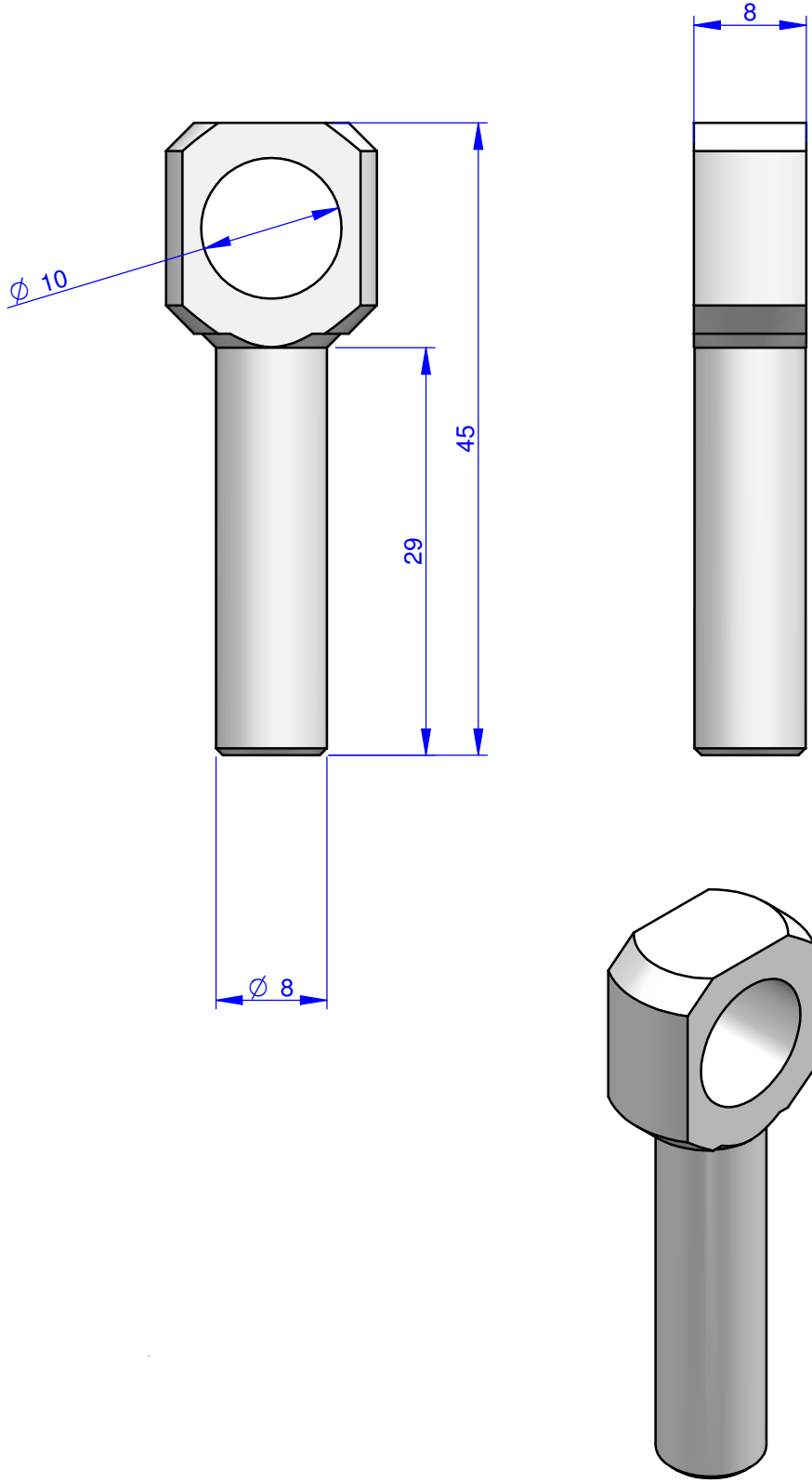
THE PROPERTY OF THIS DRAWING IS ESTABLISHED BY LAW
IT IS FORBIDDEN TO REPRODUCE IT OR SHOW IT TO THIRD PARTY
WITHOUT A WRITTEN AGREEMENT.

MODIFICATIONS: VARIED DIMENSIONS AS OF DATE:

7.		10.
8.		11.
9.		12.

MODIFICATIONS: VARIED DIMENSIONS AS OF DATE:

1.		4.
2.		5.
3.		6.

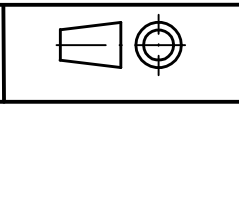


Format **A4**
UNI 936-76

FP Services

GENERAL TOLERANCE:
UNI - ISO 2768
CLASSE f

DESCRIPTION



DESIGNED FROM
FPSERVICES

DATE	12/2013	WEIGHT	0,020 kg
CODE	CA.05.07.001		

